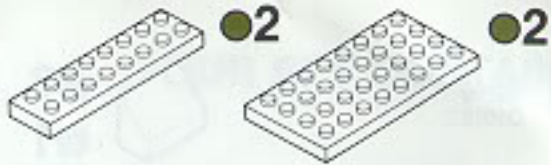
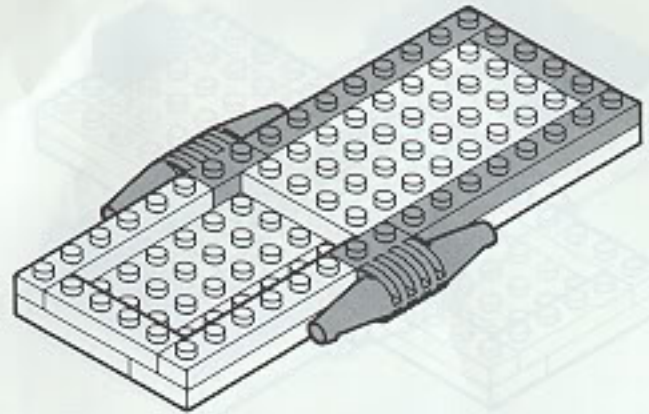
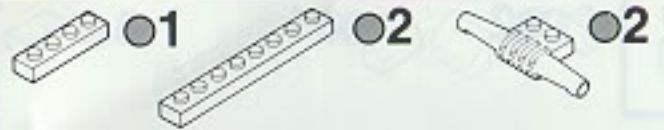
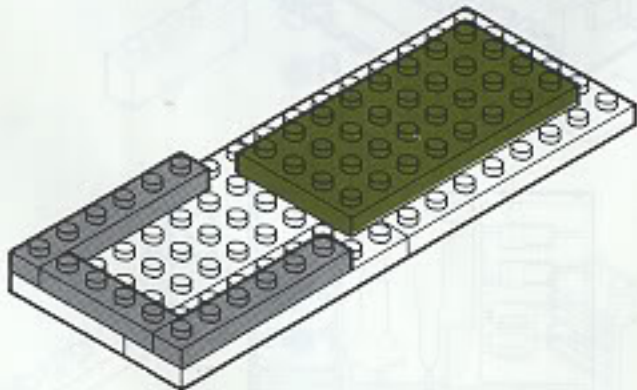
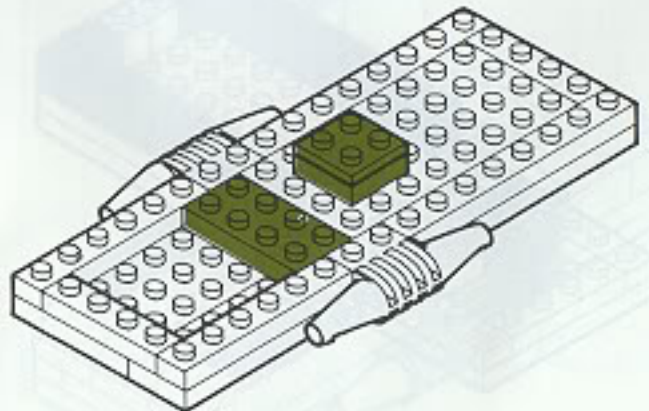


1**3****2****4**

9

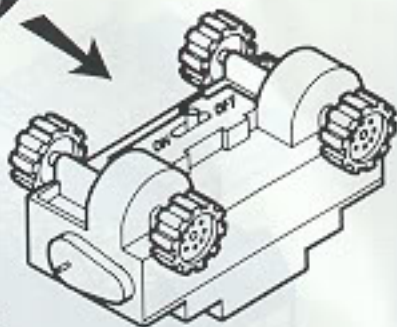


On-Off Switch Instructions:

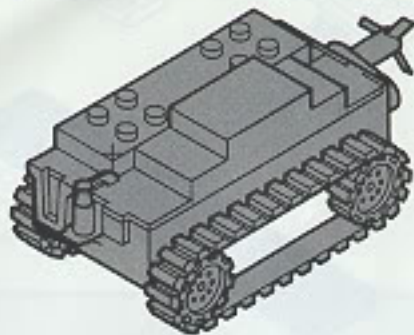
The ON-OFF switch is located underneath the vehicle on the chassis.

To turn vehicle on, push switch toward the rear of the vehicle. To turn vehicle off for freewheeling play, push switch toward the front of the vehicle.

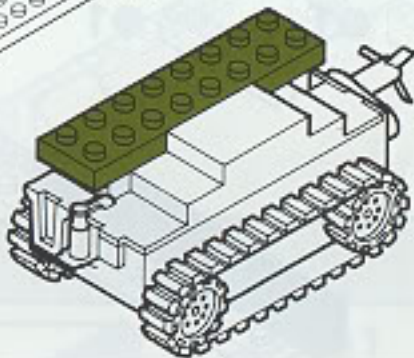
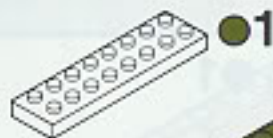
NOTE: DO NOT PUSH VEHICLE WITH SWITCH IN THE ON POSITION.



11



12

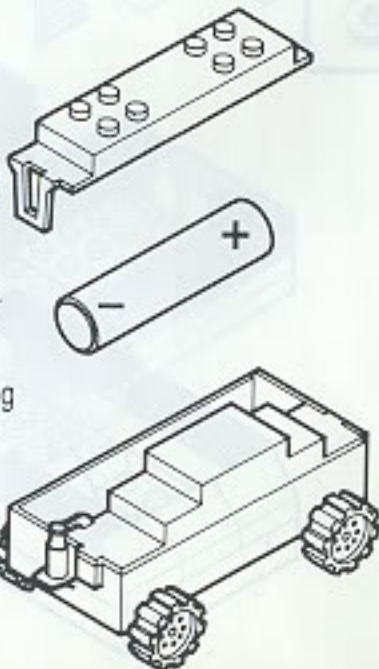


10

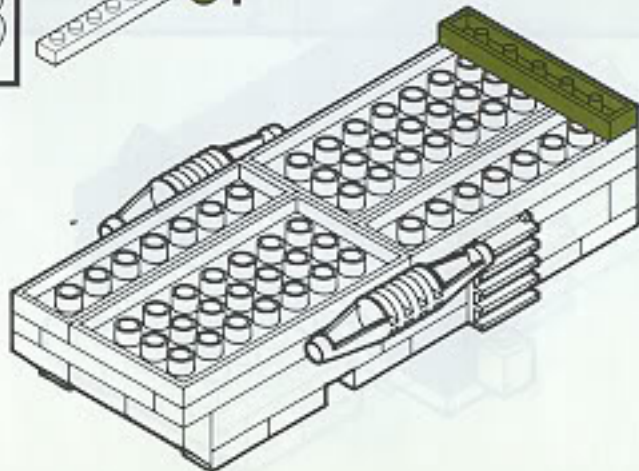
Battery Instructions:

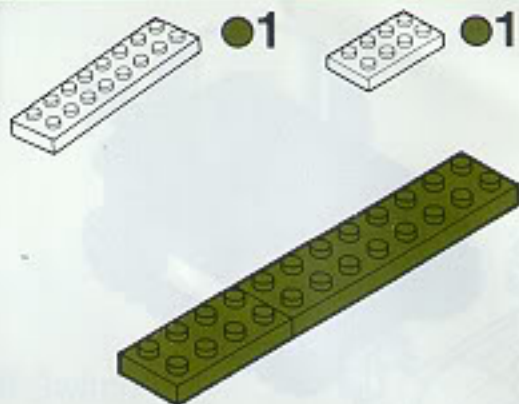
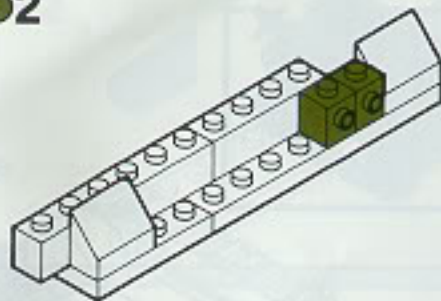
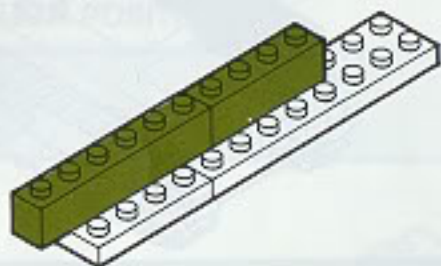
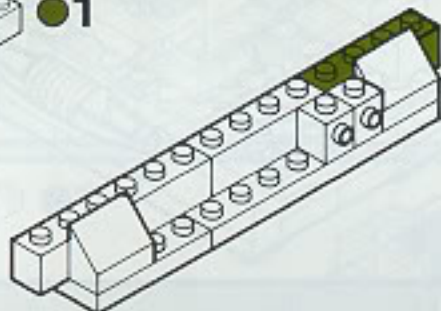
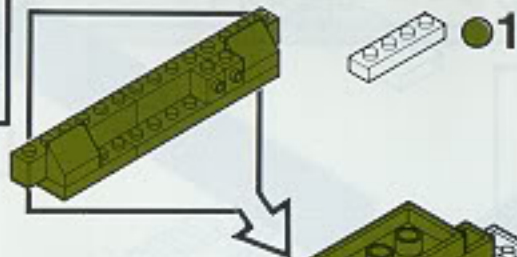
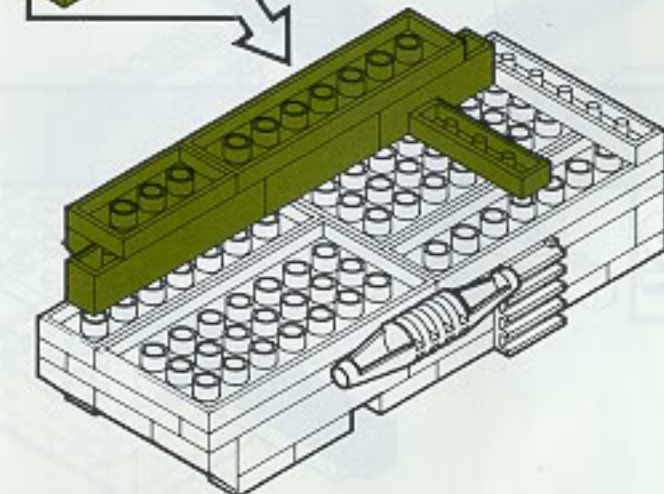
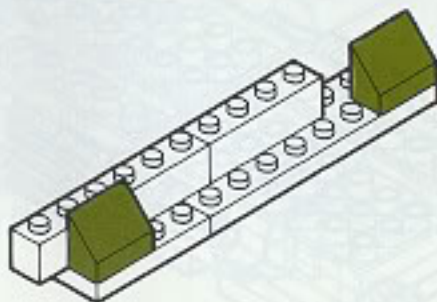
Pull out and lift up latch to take protective battery cover from chassis. Insert battery, making sure the + / - on battery matches the diagram. Replace battery cover by first inserting the back notched end, then snap the front end tight. If vehicle does not work, bend the battery contacts in so that the battery fits tight.

LATCH

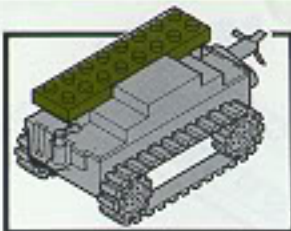


13

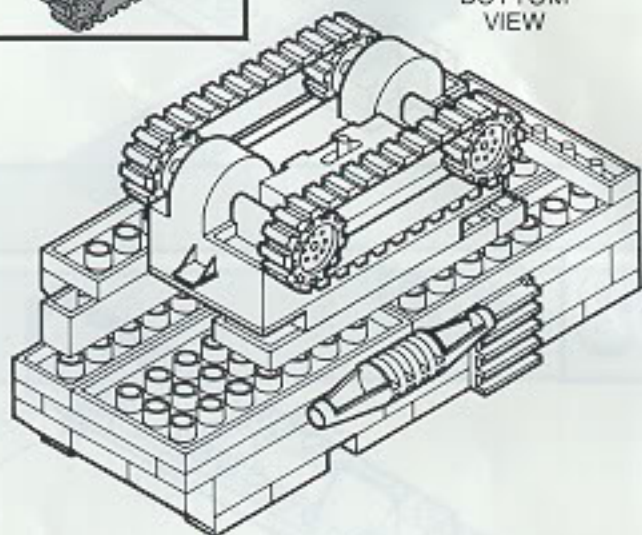


14**17****15****18****19****16**

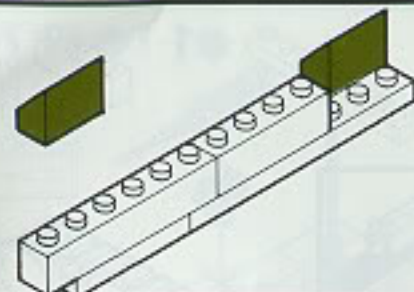
20



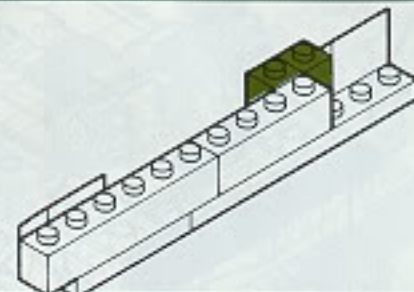
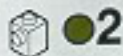
BOTTOM VIEW



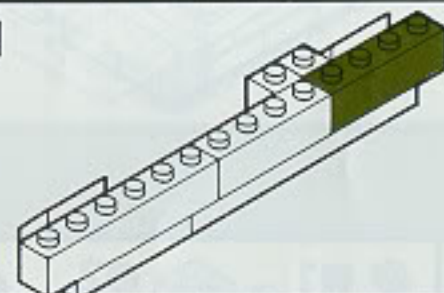
23



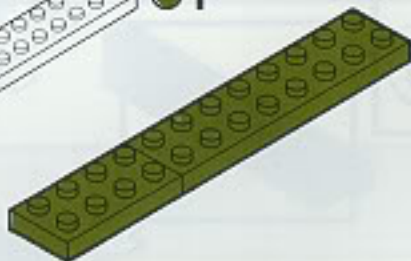
24



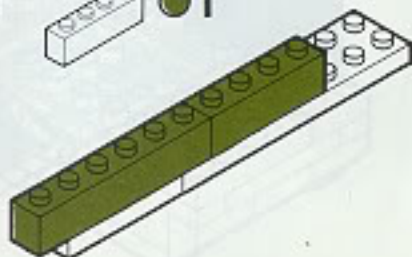
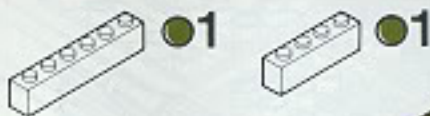
25



21



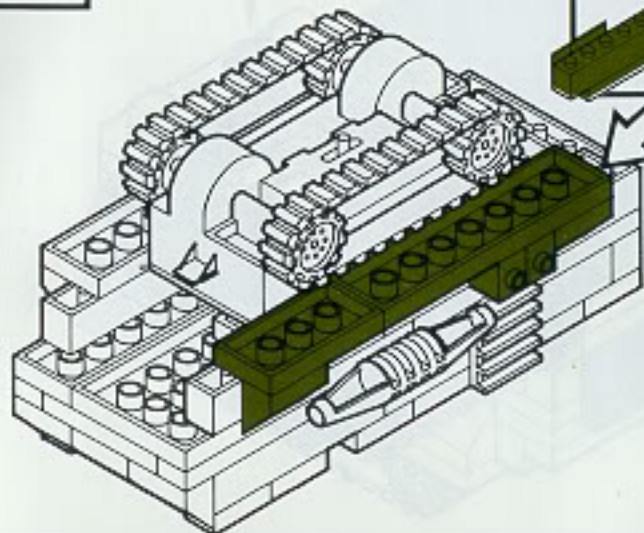
22

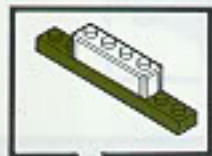
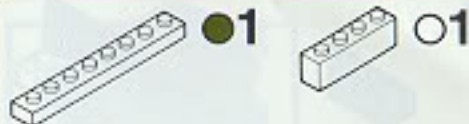


26

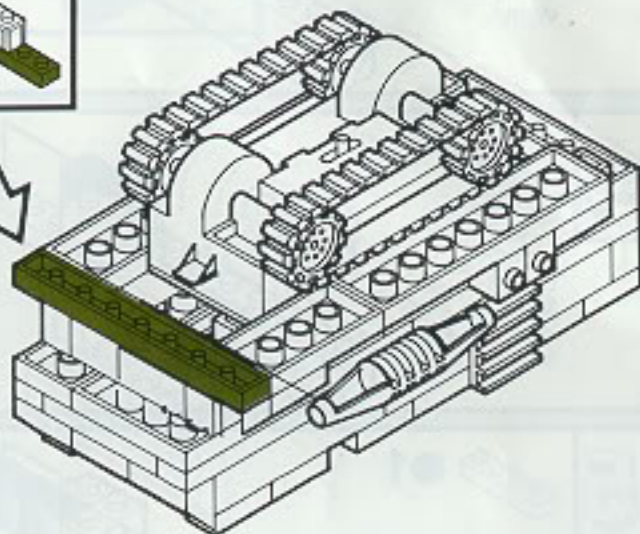
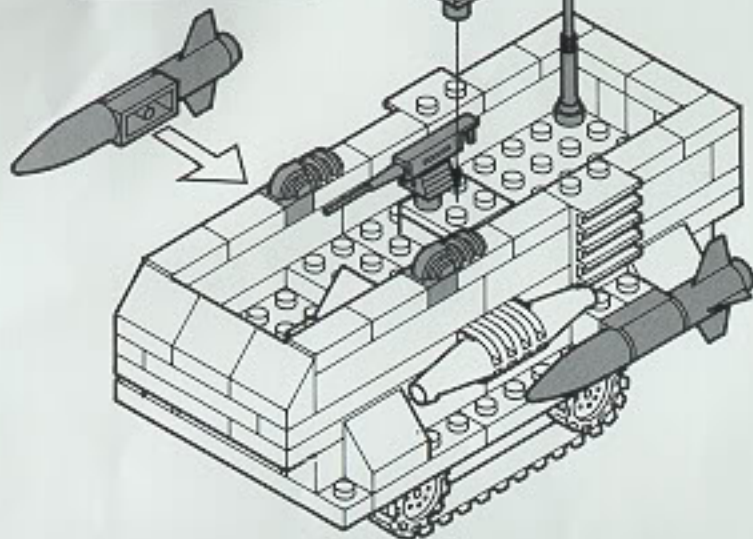
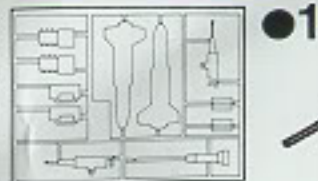
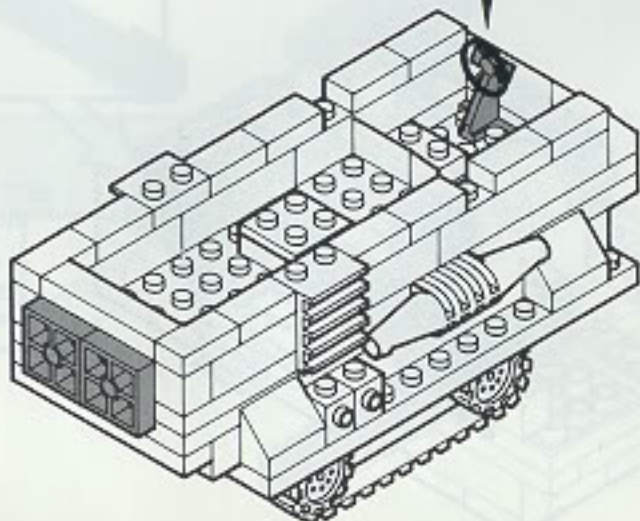


BOTTOM VIEW



27

BOTTOM
VIEW

**29****28****30**